

Primary Business Address

3132 Louis Ave. Ste 202

Eau Claire, WI 54703



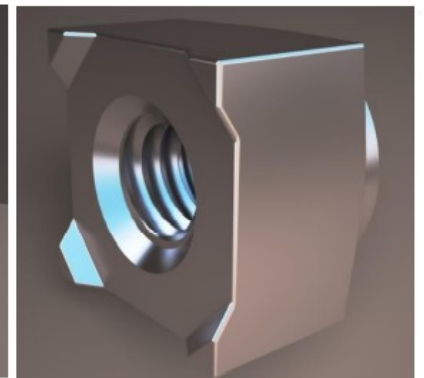
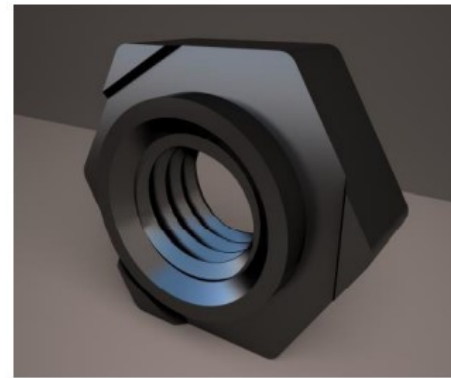
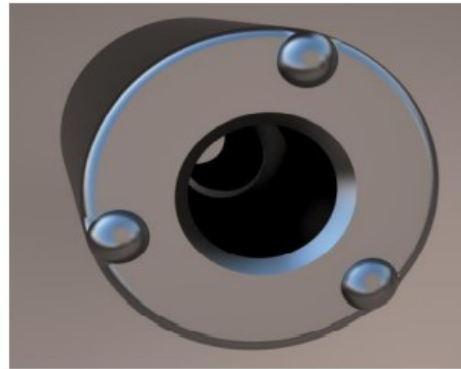
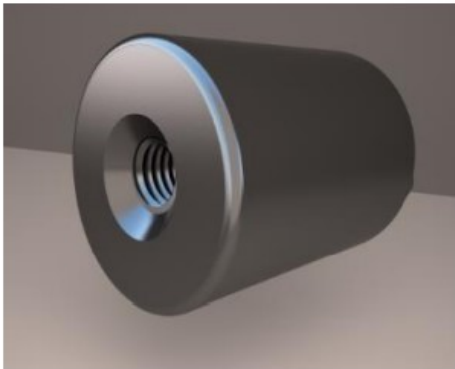
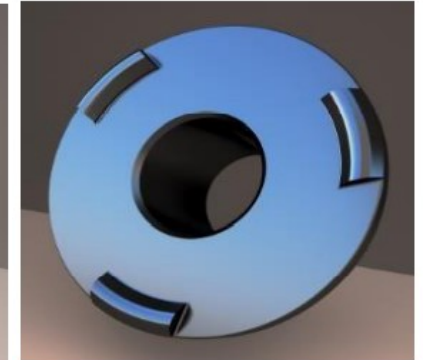
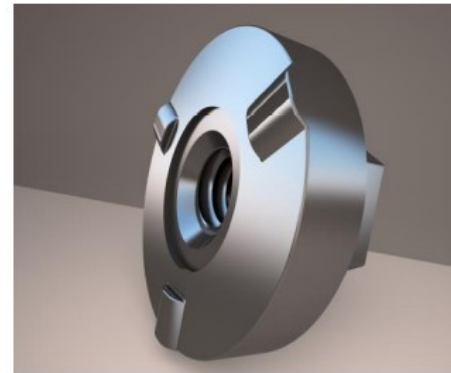
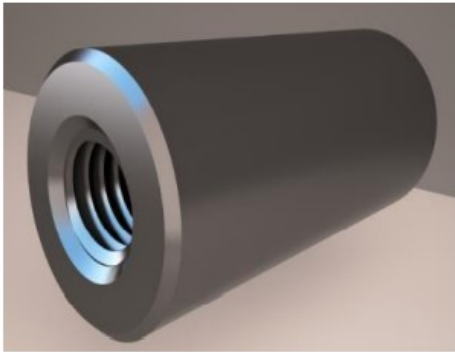
Contact Information

Phone: 715-220-7601

E-mail: Info@APSforSite.com

INDUSTRIAL EQUIPMENT SUPPLIER & ENGINEERING SERVICES PROVIDER

Free Quotes | Over 50 Years of Experience | 5-Year Warranty on Paint Booths & Ovens



- ◆ SPACERS
- ◆ WELD BUSHES

- ◆ HEXAGONAL WELD NUTS
- ◆ FLANGE WELD NUTS
- ◆ SQUARE WELD NUTS

FASTENERS WE SUPPLY
AUTOMOTIVE

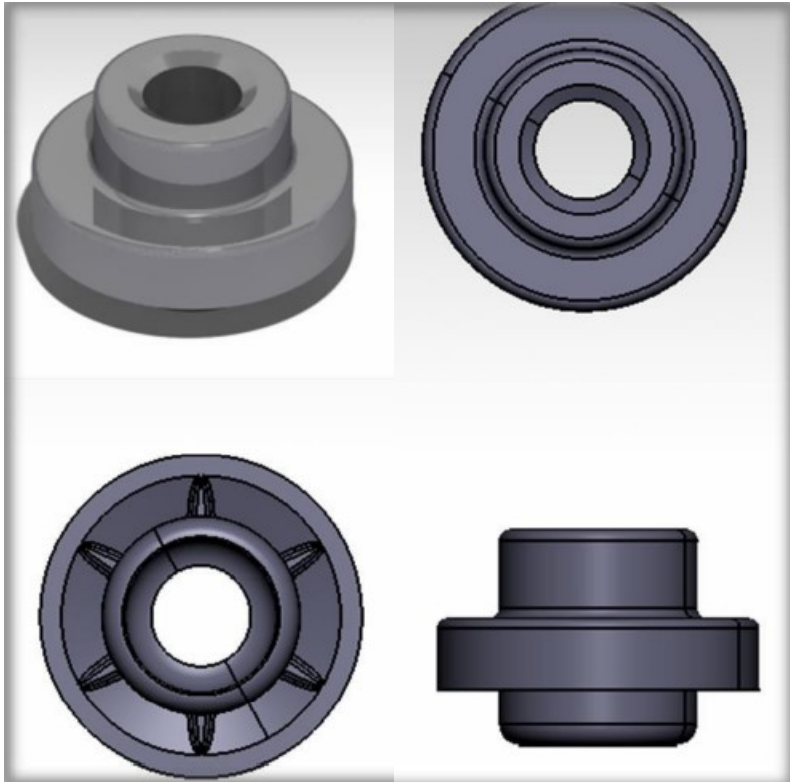
Primary Business Address
3132 Louis Ave. Ste 202
Eau Claire, WI 54703



Contact Information
Phone: 715-220-7601
E-mail: Info@APSforSite.com

INDUSTRIAL EQUIPMENT SUPPLIER & ENGINEERING SERVICES PROVIDER

Free Quotes | Over 50 Years of Experience | 5-Year Warranty on Paint Booths & Ovens



◆ RIVET NUTS



- ◆ NYLOC INSERT PREVEALING TORQUE NUTS
- ◆ METAL PREVEALING TORQUW NUTS



FASTENERS WE SUPPLY
AUTOMOTIVE

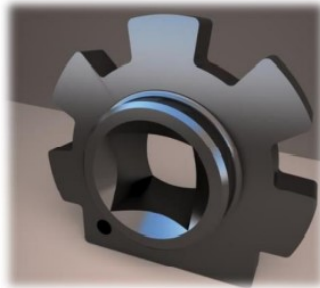
Primary Business Address
3132 Louis Ave. Ste 202
Eau Claire, WI 54703



Contact Information
Phone: 715-220-7601
E-mail: Info@APSforSite.com

INDUSTRIAL EQUIPMENT SUPPLIER & ENGINEERING SERVICES PROVIDER

Free Quotes | Over 50 Years of Experience | 5-Year Warranty on Paint Booths & Ovens



- ◆ GEARS
- ◆ COLD FORMED PARTS
- ◆ ROUND WELD NUTS

◆ NYCOTE APPLICATIONS

FASTENERS WE SUPPLY
AUTOMOTIVE

Primary Business Address
3132 Louis Ave. Ste 202
Eau Claire, WI 54703

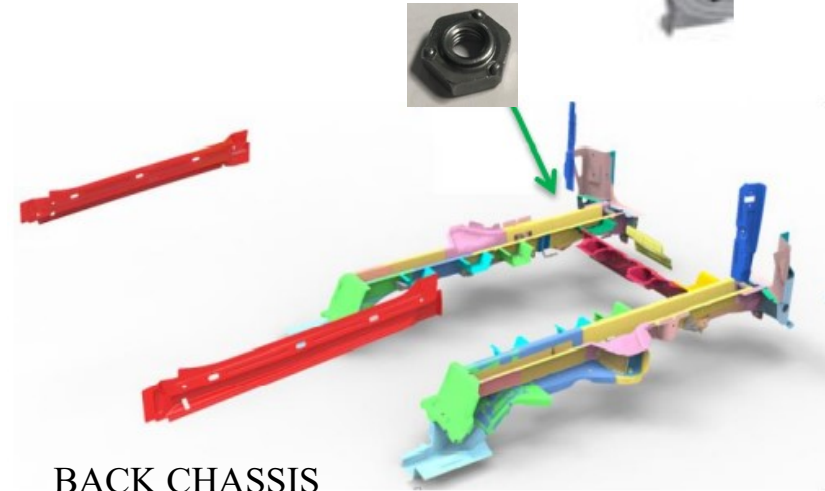
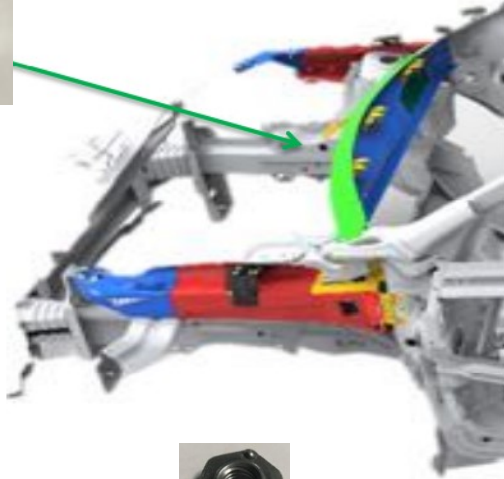


Contact Information
Phone: 715-220-7601
E-mail: Info@APSforSite.com

INDUSTRIAL EQUIPMENT SUPPLIER & ENGINEERING SERVICES PROVIDER
Free Quotes | Over 50 Years of Experience | 5-Year Warranty on Paint Booths & Ovens

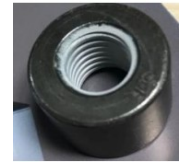
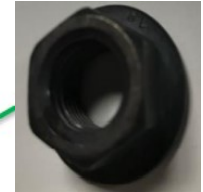
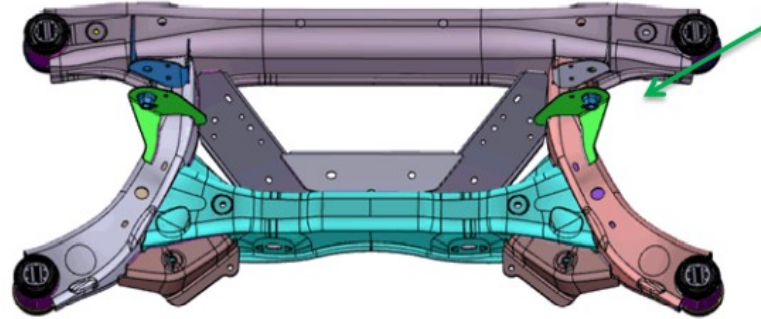


BRACKET



BACK CHASSIS

REAR SUBFRAME



ENGINE FRONT SUBFRAME

FASTENERS WE SUPPLY
AUTOMOTIVE